

MGE Galaxy 4000

Three Phase UPS

MGE Galaxy 4000 40 / 50 / 65 / 75 kVA



**Performance Three Phase
Power Protection with
Adaptability to Meet the
Unique Requirements of
Small Datacenters and
Building Critical
Applications**

- > Strong electrical features
- > Easy to install
- > Intuitive to use
- > High availability architectures components



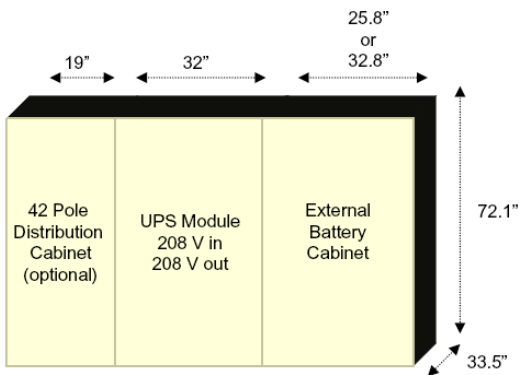
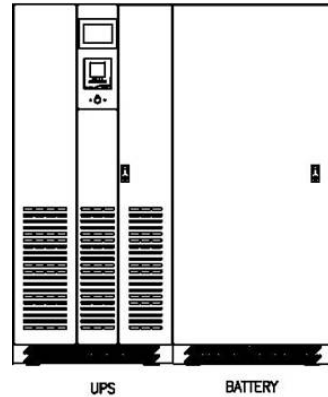
For More Information:
(866) 787-3271
Sales@PTSdcs.com



MGE Galaxy 4000 40 / 50 / 65 / 75 kVA

Battery system

- > Provided in a remote or adjacent (joined to UPS) matching cabinet(s)
- > Battery type: sealed, valve regulated, lead acid cells
- > Cabinet width varies depending on battery capacity
- > Battery life estimated at five years plus, depending on number of discharges
- > Compatible with "flooded or wet cell" batteries



Cabinet Configurations

- > 42-pole panel board distribution
- > Optional main incomer circuit breaker
- > Optional Branch Circuit Monitoring (no local meter)
- > Optional internal maintenance bypass with keyed interlock
- > Battery cabinet width depends on capacity of battery used

Standard Features

- > Double Conversion On-line topology
- > Input Power Factor Correction (IGBT rectifier)
- > Dual Input
- > Input Distortion Management
- > Digital Power Quality Management System
- > Step Load Voltage Stabilization



MGE Galaxy 4000 40 / 50 / 65 / 75 kVA

Distribution

- 42-pole panel board in separate cabinet
- > Smaller branch circuits to be fed directly from the UPS
- > Available with optional main incomer CB
- > Available with optional "Branch Circuit Monitoring" that monitors individual branch circuit currents

Communication boards

- > 4 communication slots
- > Dry Contact Board as standard
- > Additional Dry Contact Board

Communication Cards

- > 3 communication card slots as standard
- > Dry Contact Relay Card as standard
- > Communication card port for 2 additional cards

User Interface management

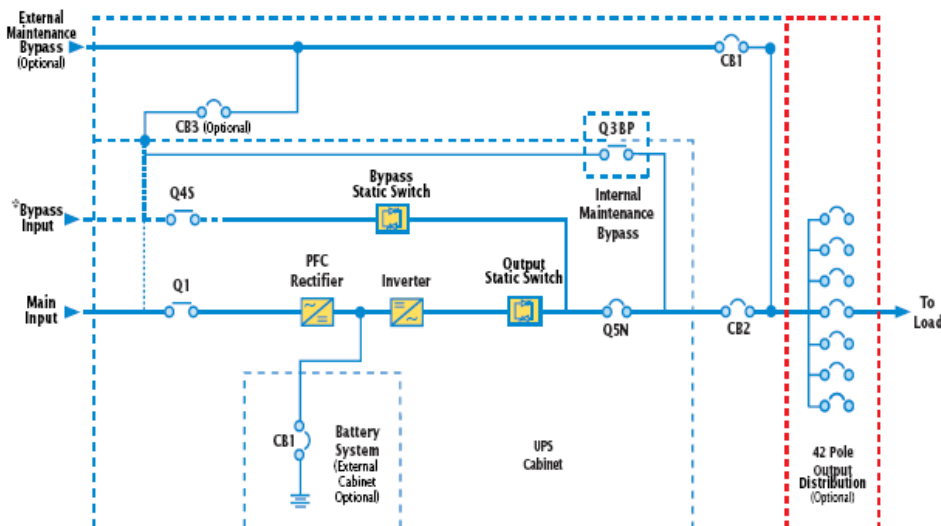
- > User friendly graphical interface
- > Web based monitoring options
- > SNMP and Network Based Power Management options

Seismic Brackets

To secure cabinets to the floor, safe for installation in a seismic zone 4 environment as per UBC 97

Options

- > RS232 / RS485 serial interface
- > Ethernet/SNMP Web Card connection kit
- > External maintenance bypass
- > Internal maintenance bypass



¹⁰ Can be configured as dual or single input

Technical characteristics

UPS Rating kVA/KW	40/32	50/40	65/52	75/60
Input				
Voltage (V)	208V, 3 Phase, 4 Wire + G, -20%/+15%			
Frequency (Hz)	60 Hz, + 5%/ -5%			
Power Factor	>0.98			
Current Distortion (THDI)	<3% at Full Load			
Input Current (A @ 208V)	102	127	166	191
Output				
Voltage (V)	208V, 3 Phase, 4 Wire + G, -20%/+15%			
Frequency (Hz)	60 Hz, +-1% (selectable to 4%), +-0.1% free running			
Voltage Regulation	+1.0% for balanced load +2.5% for 100% unbalanced load			
Voltage Transient Response	+5% for 100% step load +1% for loss or return of AC input			
Voltage Recovery Time	Within 1% of nominal within 1 cycle			
Voltage Distortion THD	<1% L-L for non-linear loads (<2% max)			
Inverter Overload	130% for 1 min, 145% for 30 sec			
Bypass Overload	10 X nominal current for 1 cycle			
Output Current (A @ 208 V)	111	139	180	208
Heat Rejection	14,900	18,700	24,200	28,000
Environmental				
Acoustical Noise	69 dBA @ 3'			
Operating Temperature	UPS: 0° to 40°C (32°F to 104°F) Battery: 25°C (77°F)			
Non-Operating Temperature	-20°C to +45°C (-4°F to 113°F)			
Relative Humidity	0-95% non-condensing			
Dimensions and Weights				
	W x D x H in inches (lbs.)			
UPS	33.5 X 35.6 X 72.1 (1,235 lbs max)			
Battery Cabinet	26.5 X 33.5 X 72.1 (2,045 lbs max)			
Battery Cabinet	33.5 X 33.5 X 72.1 (2,745 lbs max)			

